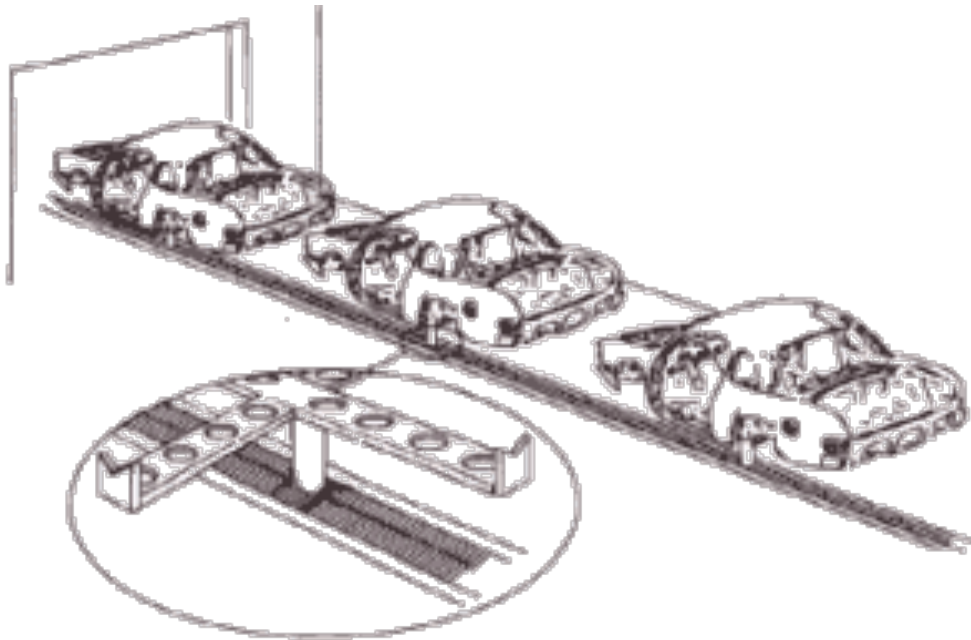


Flex-Guard[®] Containment Protection...

Now more than ever, industry recognizes the havoc that coolant, air, dust, chips, noise, and light can wreak on their manufacturing operations.

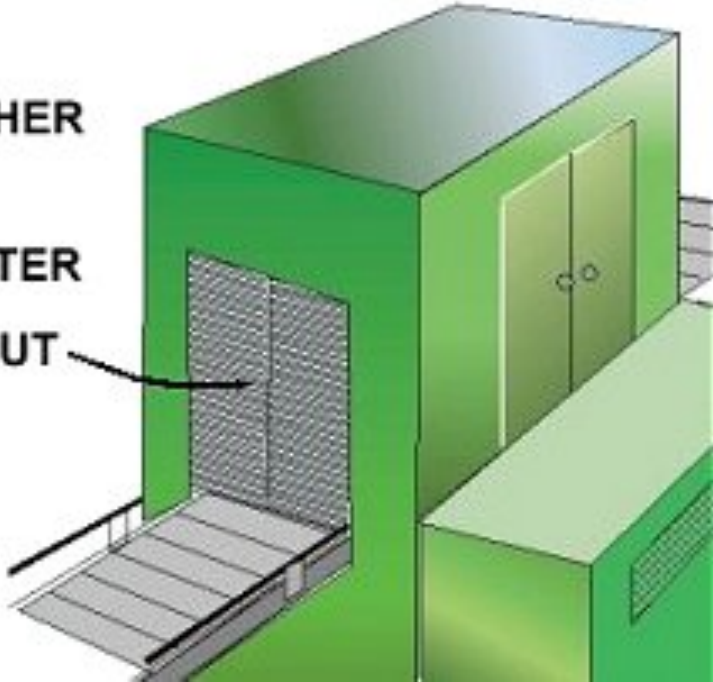
Felton's Flex-Guard[®] is the sensible, low-cost way to provide containment and safety on your equipment.

More and more users are turning to Felton's Flex-Guard[®] as a key element to reduce plant operating costs.

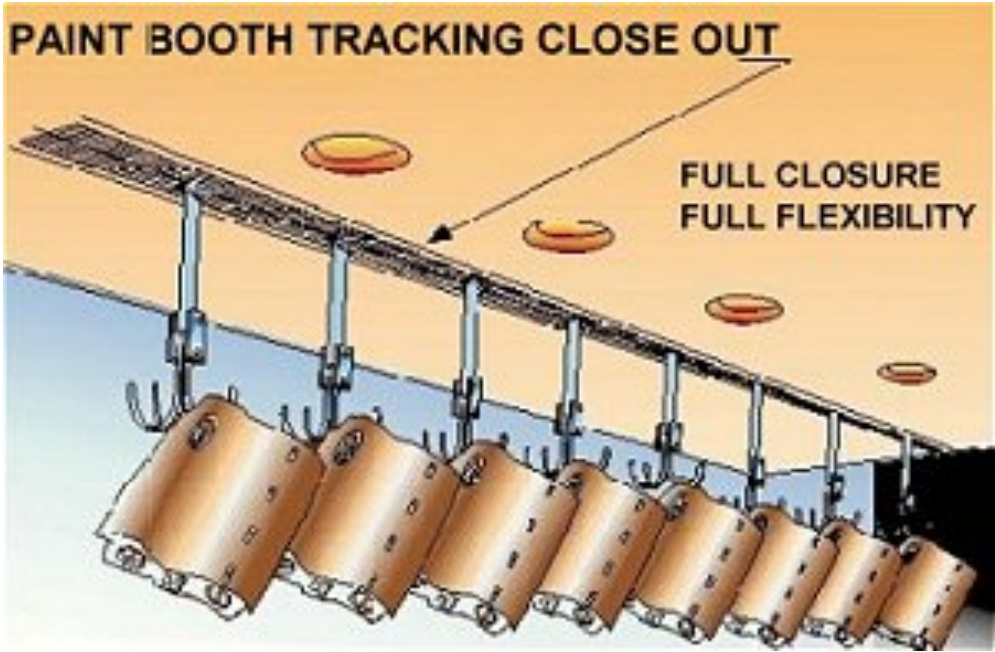


www.feltoninc.com

**PARTS WASHER
OR
SHOT BLASTER
CLOSE OUT**

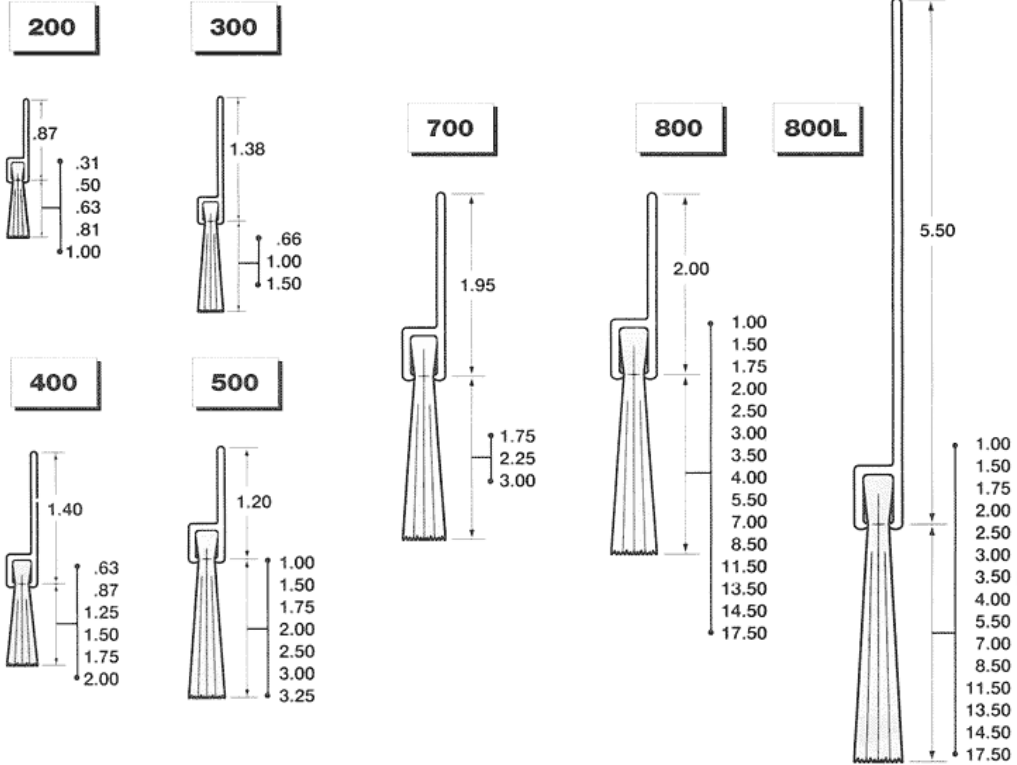


PAINT BOOTH TRACKING CLOSE OUT

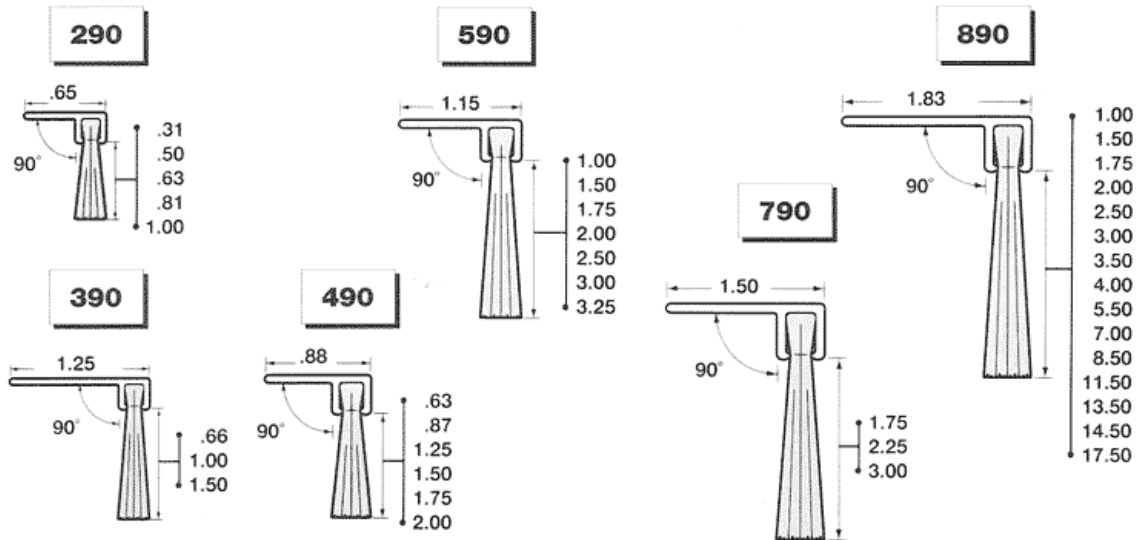


www.feltoninc.com

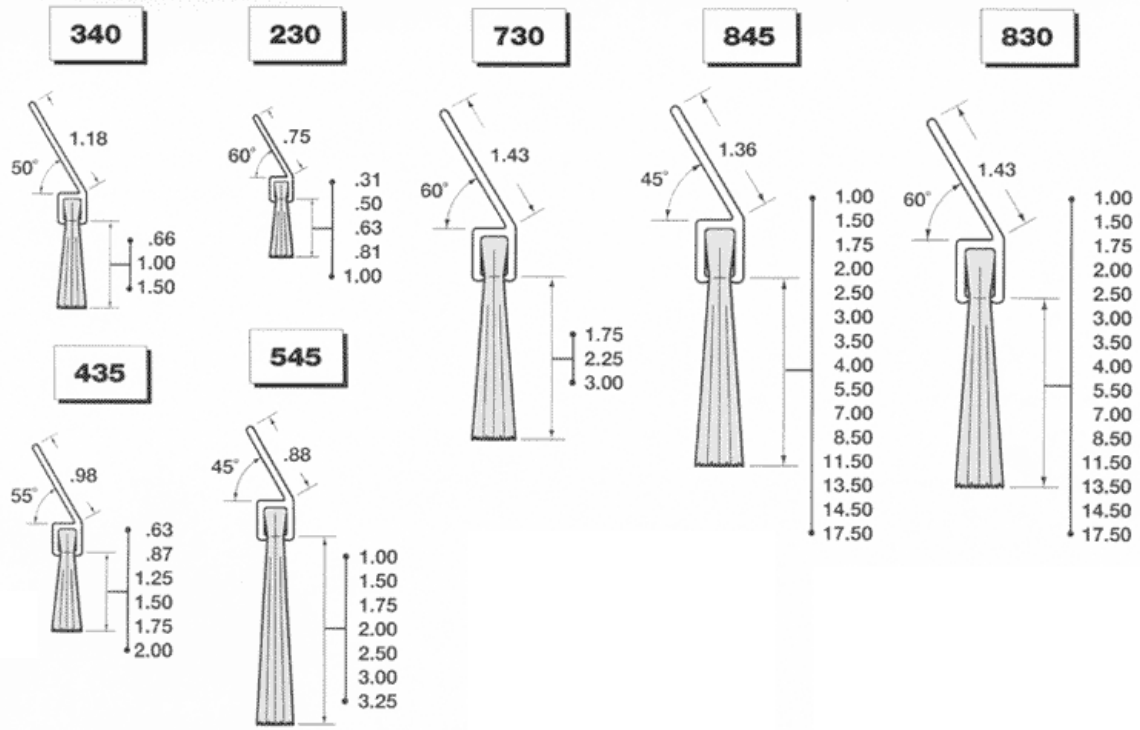
Straight Mounting



Right Angled Mounting



Angled Mounting



Reverse Angled Mounting

