

4

3

2

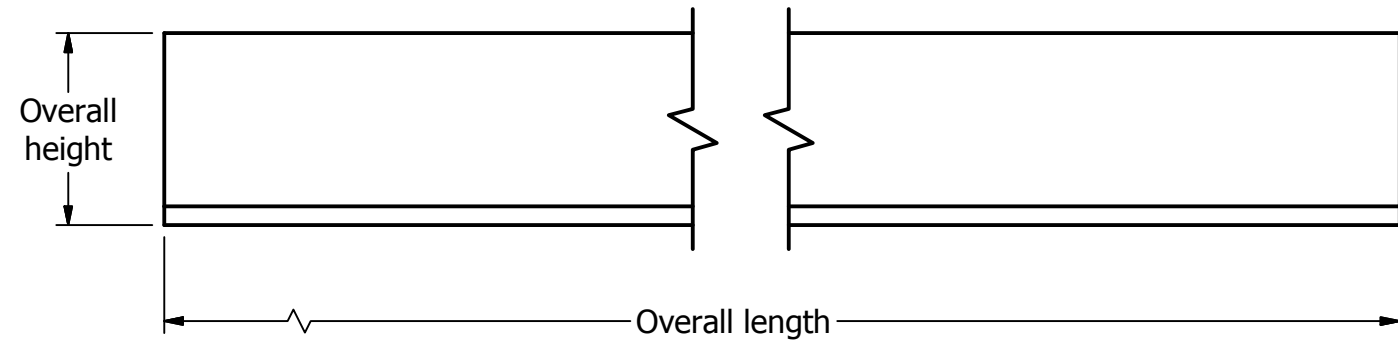
1

REVISION HISTORY

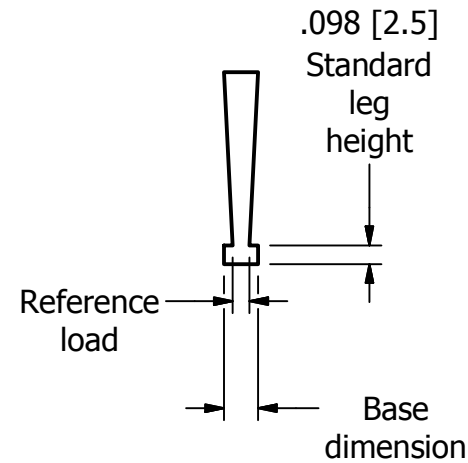
REV	ECO	ENG	DESCRIPTION	CHK'D	REV DATE
			ORIGINAL RELEASE		

Profile name	Base dimension	Load reference
2.5 x 2.5	.098" ±.015" [2.5mm ±.38mm]	.043" [1.1mm]
3.2 x 2.5	.126" ±.015" [3.2mm ±.38mm]	.055" [1.4mm]
3.8 x 2.5	.150" ±.015" [3.8mm ±.38mm]	.067" [1.7mm]
4.5 x 2.5	.177" ±.015" [4.5mm ±.38mm]	.091" [2.3mm]

Overall height: .560" ±.020"
up to approximately 6"



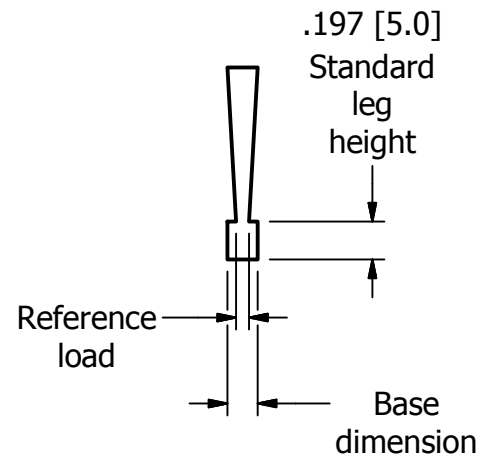
Overall length:
Can be cut in secondary down as small as 1" long or continuously on a reel
Overall heights under 2" can be supplied 2 wraps (layers) per reel with up to 3 splices per reel
Reel amounts (approximate: varies depending on profile and overall height):
2.5 x 2.5 profile: up to 660 feet
3.2 x 2.5 profile: up to 520 feet
3.8 x 2.5 profile: up to 450 feet
4.5 x 2.5 profile: up to 380 feet
4.0 x 5.0 profile: up to 420 feet
6.0 x 5.0 profile: up to 300 feet



Profile name	Base dimension	Load reference
4.0 x 5.0	.157" ±.015" [4.0mm ±.38mm]	.074" [1.9mm]
6.0 x 5.0	.236" ±.015" [6.0mm ±.38mm]	.146" [3.7mm]

Notes:

1. Base material: rigid polypropylene or flexible nylon; standard color is black or natural; other colors available
2. Filaments: level or light crimp; .003" to .020"; standard color is black; other colors available
3. Nylon filament is used with nylon base; polypropylene filament is used with polypropylene base



UNLESS OTHERWISE SPECIFIED
USE THE FOLLOWING

INTERPRET DRAWING PER ANSI Y14.5-2009

PROPERTY OF FELTON BRUSH INCORPORATED
USE AND/OR REPRODUCTION ONLY AS EXPRESSLY
AUTHORIZED. TO BE RETURNED UPON DEMAND.



THIRD ANGLE
PROJECTION

This document and the information contained herein is confidential and proprietary in nature and at all times shall remain the property of Felton Brush Inc. (Felton) and be used solely for the purpose for which it is intended. Specifically, where furnished to a customer of Felton in connection with a product. It shall be used solely for the purpose of inspection, installation, and/or maintenance of the product; and where furnished to a supplier of Felton, the information shall be used solely in the performance of the supplier's obligations under its agreement with Felton. Unless otherwise specifically authorized in writing by Felton, the information contained, herein shall not be disclosed or otherwise made available, in any form or manner, to third parties or used by the recipient for any purpose other than as set forth above. This document must be returned to Felton upon demand, along with any copies.

By reviewing the information contained in this document, you hereby agree to all of the terms and conditions set forth above.

DRAWN	DATE	10/8/2009
PROJECT MANAGER	DATE	10-8-09
APPROVAL	DATE	
PART NUMBER		
CAD FILE	2.5 profile.ipt Designflex profiles - Felton.idw	
CUSTOMER		
CUSTOMER PART NUMBER		
CUSTOMER DRAWING NUMBER		

FELTON BRUSH INCORPORATED

7 Burton Drive Londonderry, NH 03053
(800) 258-9702 www.feltonbrush.com

TITLE
Designflex™ Options

SIZE	DWG NO	REV
B	Designflex profiles - Felton	

PROJECT NUMBER	SCALE	SHEET 1 OF 1
	no scale	

4

3

2

1